

# ATISmirus 300

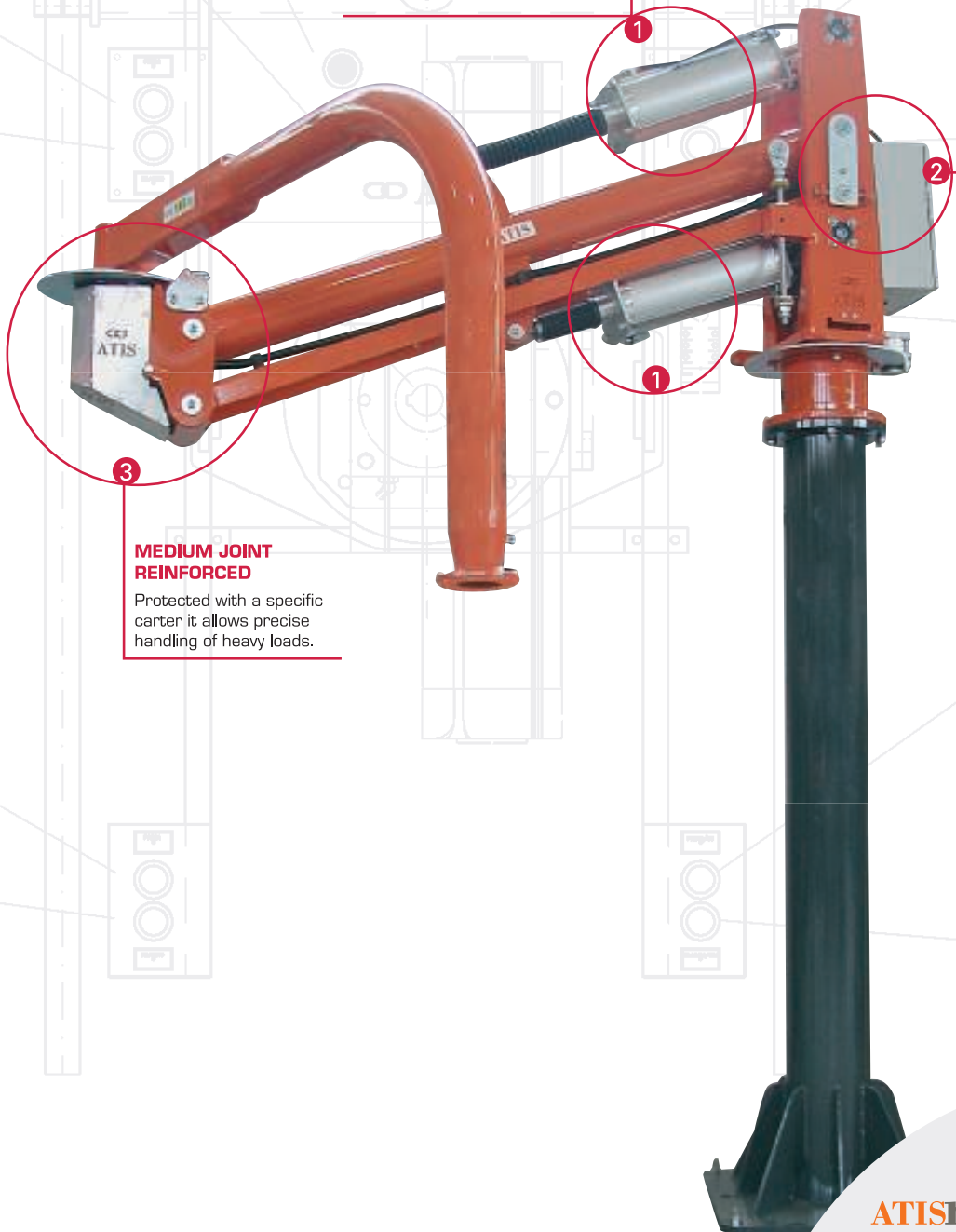
## ATISmirus 300

Pneumatic Manipulator with articulated rigid arms, is the solution for higher capacities. Designed for increased performance and capacity, always fulfils highest accuracy and ergonomics, even in the most critical conditions.

Reliability and safety with bulky and heavy loads makes this model the right choice for heavy industry, while our technical experience completes it with customized gripping tools to comply with customers' requirements.

### BALANCING CYLINDERS

Low friction cylinders developed with special Atis technology.



### MICROMETRIC DRIFT ADJUSTMENT

Thanks to precision regulations of the device it is possible to avoid all typical drifts of manipulators.

### MEDIUM JOINT REINFORCED

Protected with a specific carter it allows precise handling of heavy loads.

## ATISmirus 300 CONFIGURATION

- ✓ column mounted fixed to the floor
- ✓ column mounted on self standing base
- ✓ overhead
- ✓ overhead on rails

MAXIMUM CAPACITY 440 kg	RADIUS 4,4 m	VERTICAL STROKE 2,3 m	OFFSET LOADS
----------------------------	-----------------	--------------------------	--------------